

XD6130/31 Voltage Detectors with Watchdog

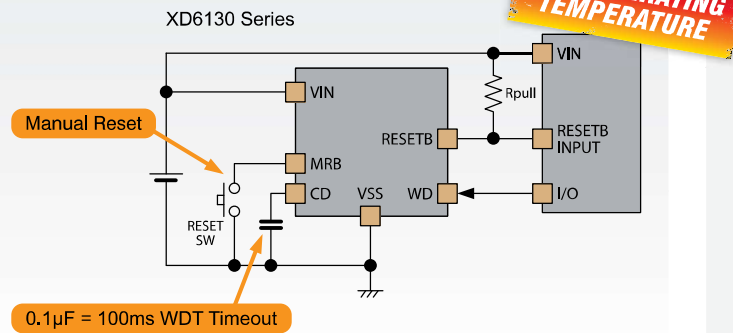
**AEC-Q100
Grade 1**

The XD6130/XD6131 series are voltage detectors with a watchdog function. The watchdog timeout time and release delay time can be set as desired using a single external capacitor. These voltage detectors are used for microprocessor monitoring and when the power voltage reaches the detect voltage, or an L→H pulse is not input to the watchdog pin within the watchdog timeout time, an L level signal is output from the RESETB pin.

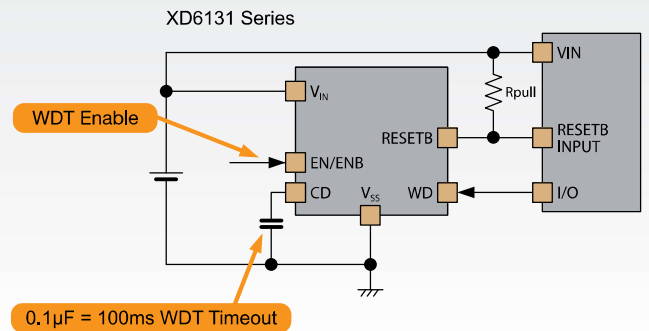
KEY FEATURES

SERIES	XD6130	XD6131
Operating Voltage Range	1.5V ~ 6.0V	
Detect Voltage Range	1.6V ~ 5.0V	
Detect Voltage Accuracy	±1.0%	
Temp Characteristics	±50ppm/°C (typ)	
Output Configuration	N-Channel Open Drain	
Output Logic	L level at detection	
Power Consumption	8.1µA	
Hysteresis width	V _{DF} ×5% (typ)	
Additional Features	Manual RESET	-
	Delay Capacitance Pin	
	Watchdog Output	Watchdog Output
	-	Watchdog Enable
Op. Ambient Temperature	-40°C ~ 125°C	
AEC-Q100	Grade 1	
Package	SOT-26	

TYPICAL APPLICATION CIRCUIT



TYPICAL APPLICATION CIRCUIT



XD6121/22/23/24 Voltage Detectors with Watchdog

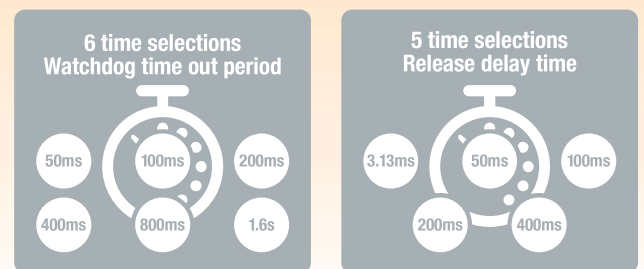
**AEC-Q100
Grade 3**

The XD6121/22/23/24 series are voltage detectors with a watchdog function. Six watchdog timeout periods and five release delay times are available.

KEY FEATURES

Operating Voltage Range	1.0V ~ 6.0V	
Detect Voltage Range	1.6V ~ 5.0V	
Detect Voltage Accuracy	±2.0%	
Temp Characteristics	±100ppm/°C (Typ.)	
Output Configuration	N-Channel Open Drain	
Output Logic	L level at detection	
Power Consumption	5µA	
Hysteresis width	V _{DF} ×5% (Typ.)	
Additional Features	Watchdog Output	
	Watchdog Enable	
Op. Ambient Temperature	-40°C ~ 85°C	
AEC-Q100	Grade 3	
Package	SOT-25	

WDT TIMEOUT & RELEASE DELAY



TYPICAL APPLICATION CIRCUIT

