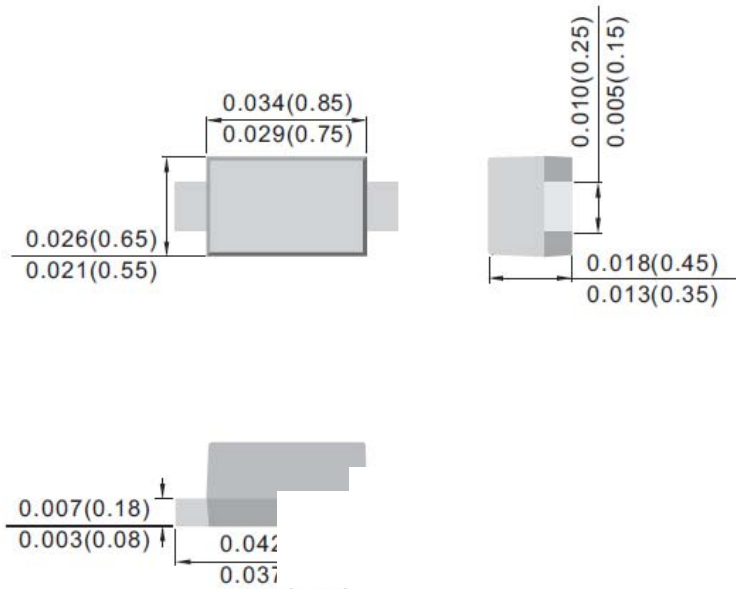


Packaging Information / Reference Pattern Layout Dimensions

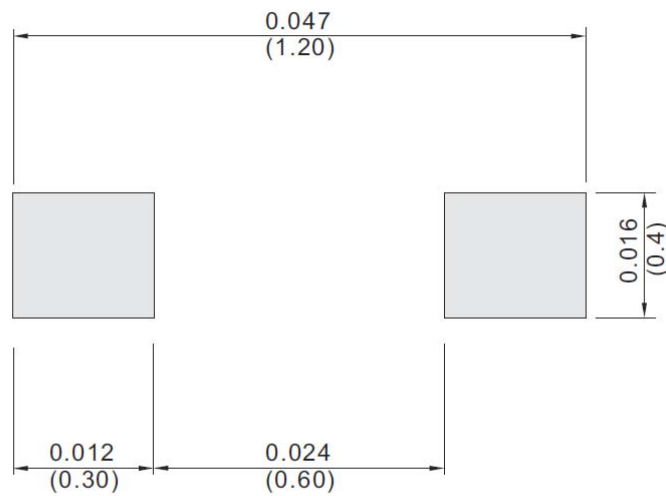
● SOD-923

Unit: inch (mm)



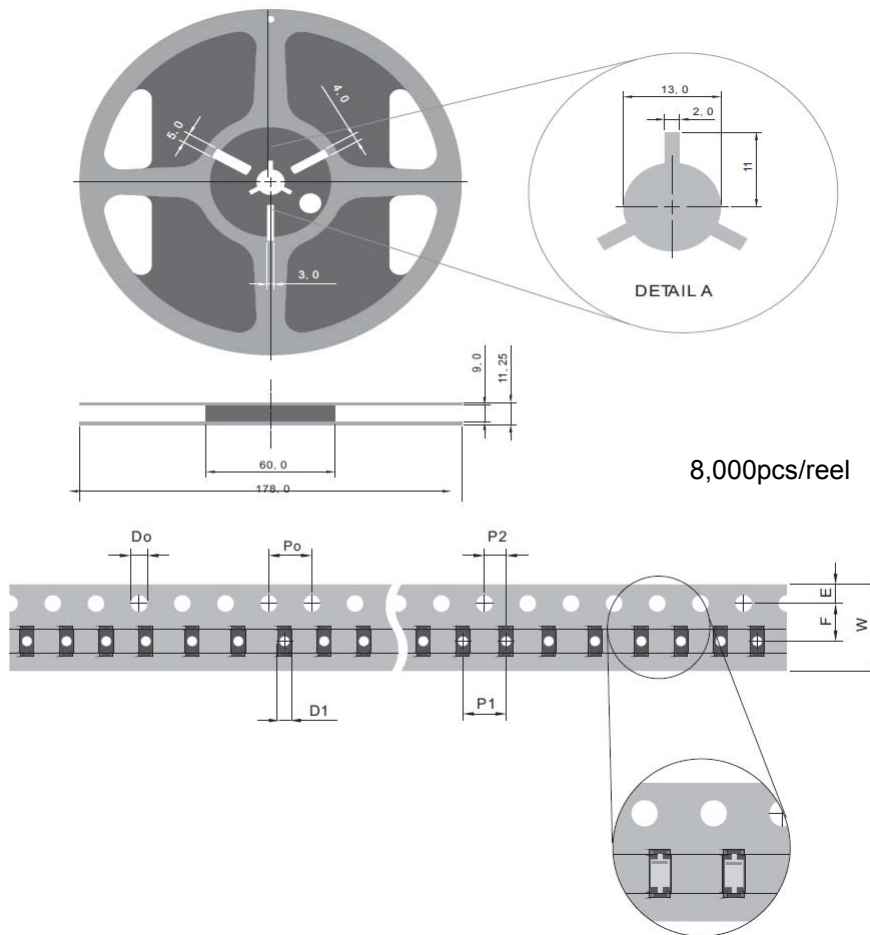
● Reference Pattern Layout

Unit: inch (mm)



Taping Specifications

●SOD-923



SYMBOL	mm
D0	1.50 ± 0.10
D1	0.40 ± 0.05
E	1.75 ± 0.10
F	3.50 ± 0.05
P0	4.00 ± 0.10
P1	2.00 ± 0.05
P2	2.00 ± 0.05
W	8.00 + 0.3 - 0.1